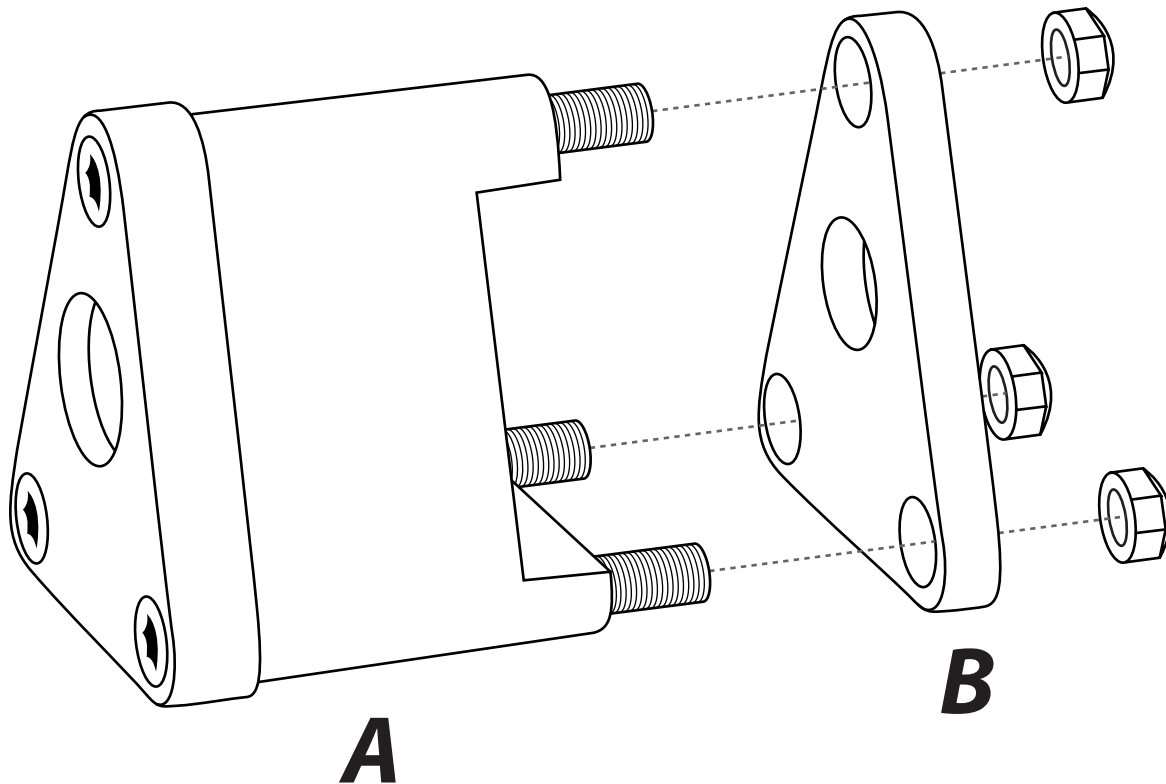




Yamaha RHINO

Tilt Bed Lock Installation

Part # 45975



Hardware Included

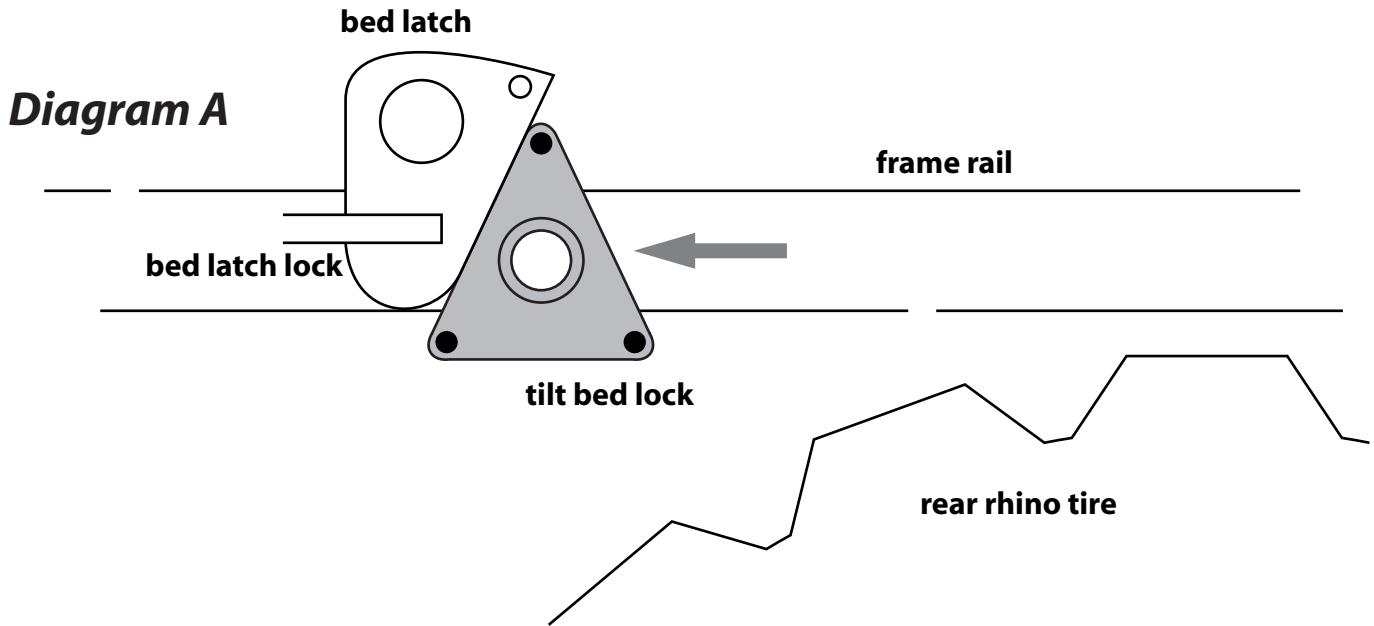
- 3 - 10-32 bolts
- 3 - 10-32 nylock nuts

Tools Required

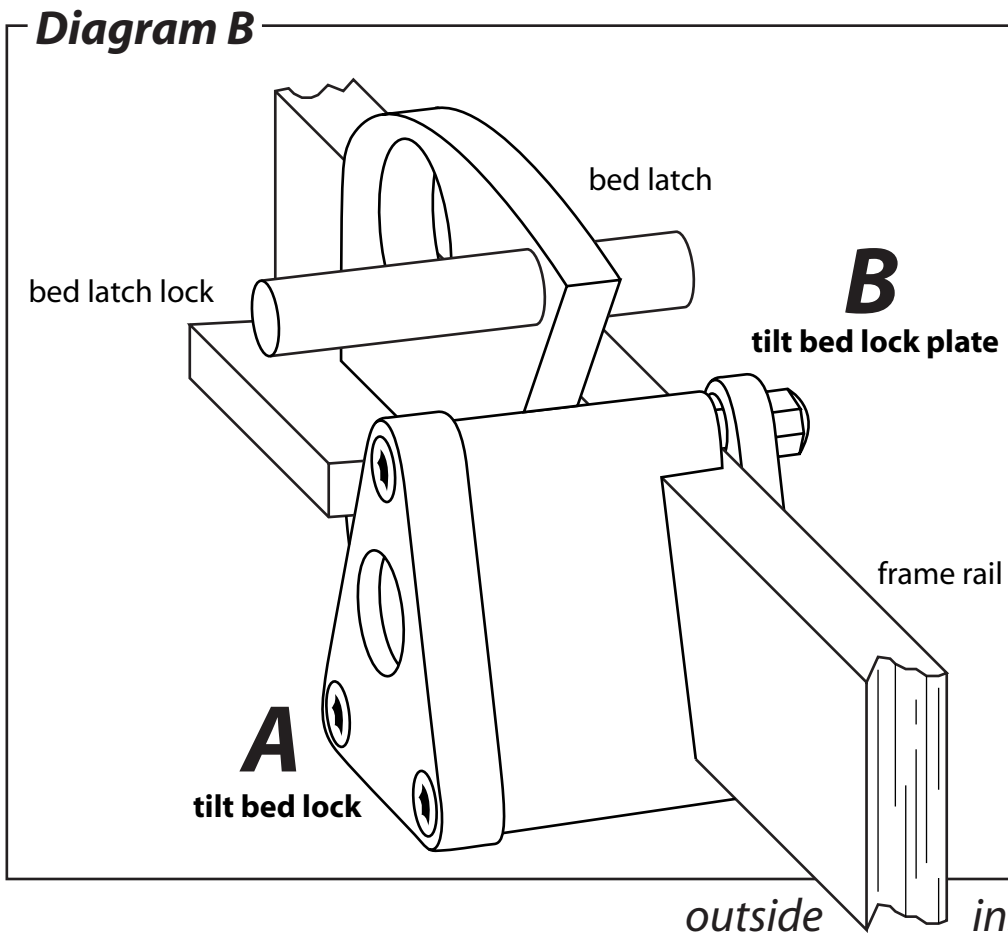
- 5/32" allen wrench
- 3/8" combination wrench

Tilt Bed Lock Installation

Front of Vehicle ← → Rear of Vehicle



located on driver side (in-front of rear tire) under bed



Making sure the bed is closed and latched properly, refer to **Diagram A** to place Tilt Bed Lock on frame rail, with main body (**A**) facing outside of frame rail and plate (**B**) facing on the inside of frame rail. Slide up against bed latch, then tighten nuts on Tilt Bed Lock. Make sure the nuts and plate (B) on the Bed Lock are facing inside of the frame rail. Refer to **Diagram B** for Bed Lock placement.