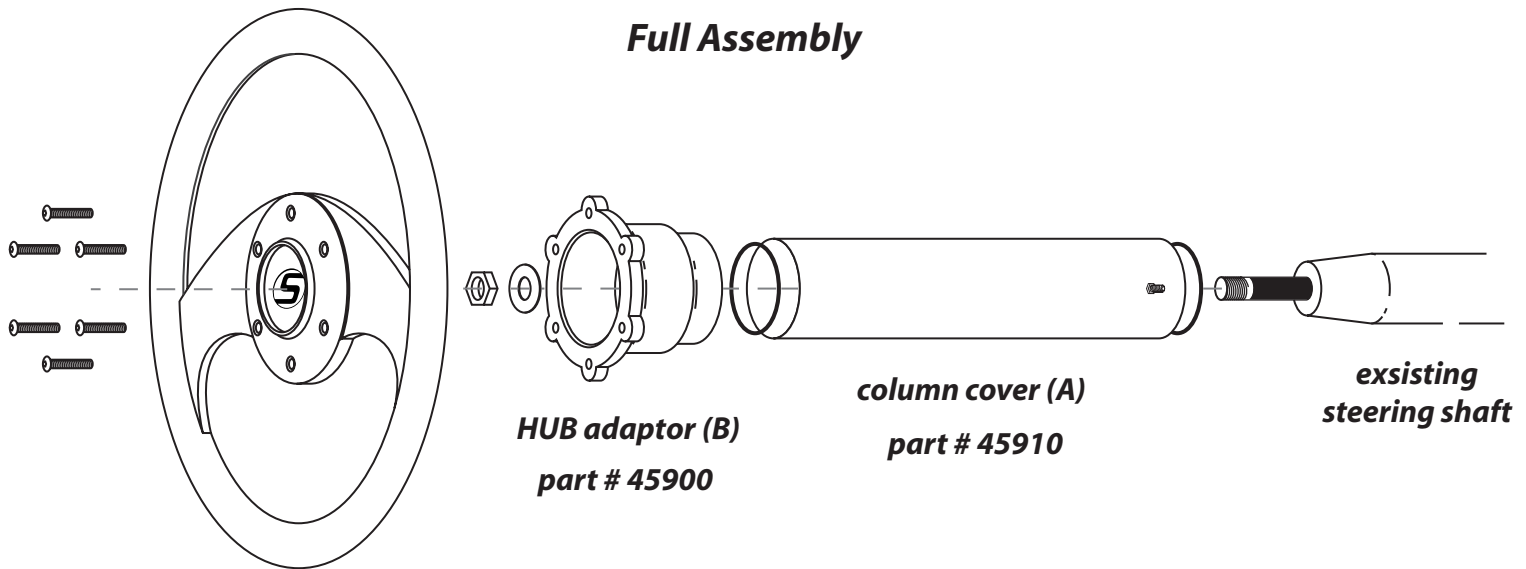




RHINO PROWLER RANGER

Steering Wheel, HUB Adaptor, and Column Cover Kits

Full Assembly



Speed Ind. steering wheel (C)

part # 49200
part # 49205

Installation Instructions

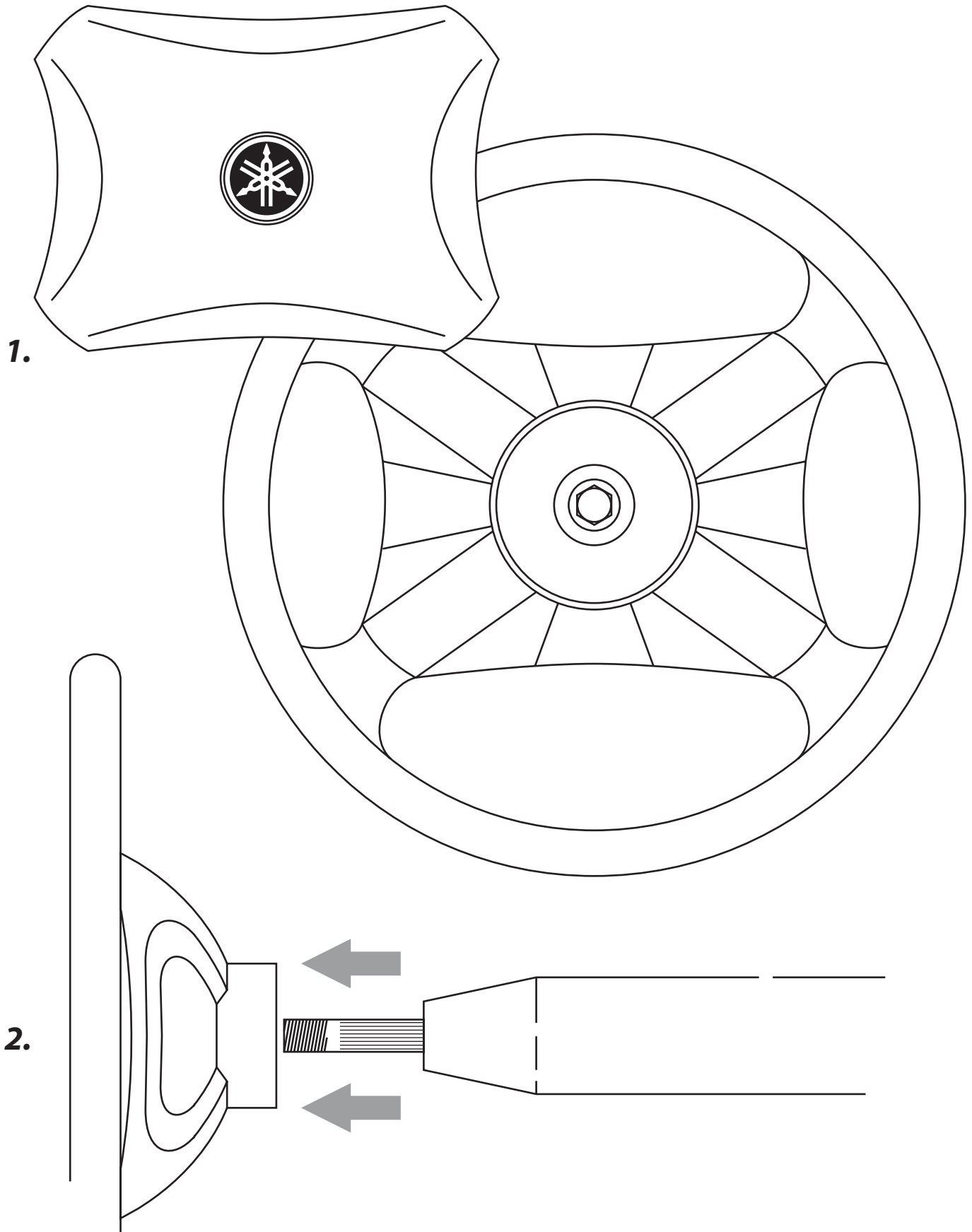
page 1 of 4

1. Pop off stock steering wheel front cover.
2. Remove steering nut and flatwasher from wheel, then remove stock steering wheel. Careful not to damage splines when removing wheel.
3. **a.** Place **Custom Column Cover (A)** on steering shaft by placing *o-ring 1* on the main part of the shaft and *o-ring 2* at the beveled part of the shaft. Slide on **Column Cover (A)** just over *o-ring 1*, then tilt **Column Cover (A)** to catch *o-ring 2*. Then slide on fully, till **Column Cover (A)** slides just through the dashboard. Make sure the set screw is facing down on column. Then tighten set screw till **Column Cover (A)** is tightly in-place. **Diagram A**
3. **b.** Place **HUB Adaptor (B)** on matching shaft splines, of steering shaft, and push all the way down (push over **Column Cover (A)** till HUB is locked down, to those that apply with **Column Cover (A)**). Then use the stock steering nut and flatwasher to tighten **HUB Adaptor (B)** down to the steering shaft.
4. Using provided allen screws (6), fasten **Beard Steering Wheel (C)** to the **HUB Adaptor (B)**. Make sure **Beard Steering Wheel** is facing upright.

note: each part is sold separately and required hardware comes with steering wheel.

Installation Instructions

page 2 of 4

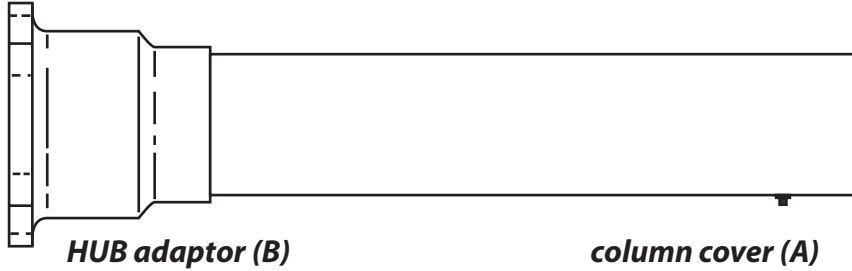
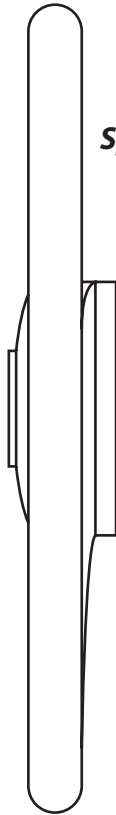


Installation Instructions

page 4 of 4

4.

Speed Ind. steering wheel (C)



HUB adaptor (B)

column cover (A)

