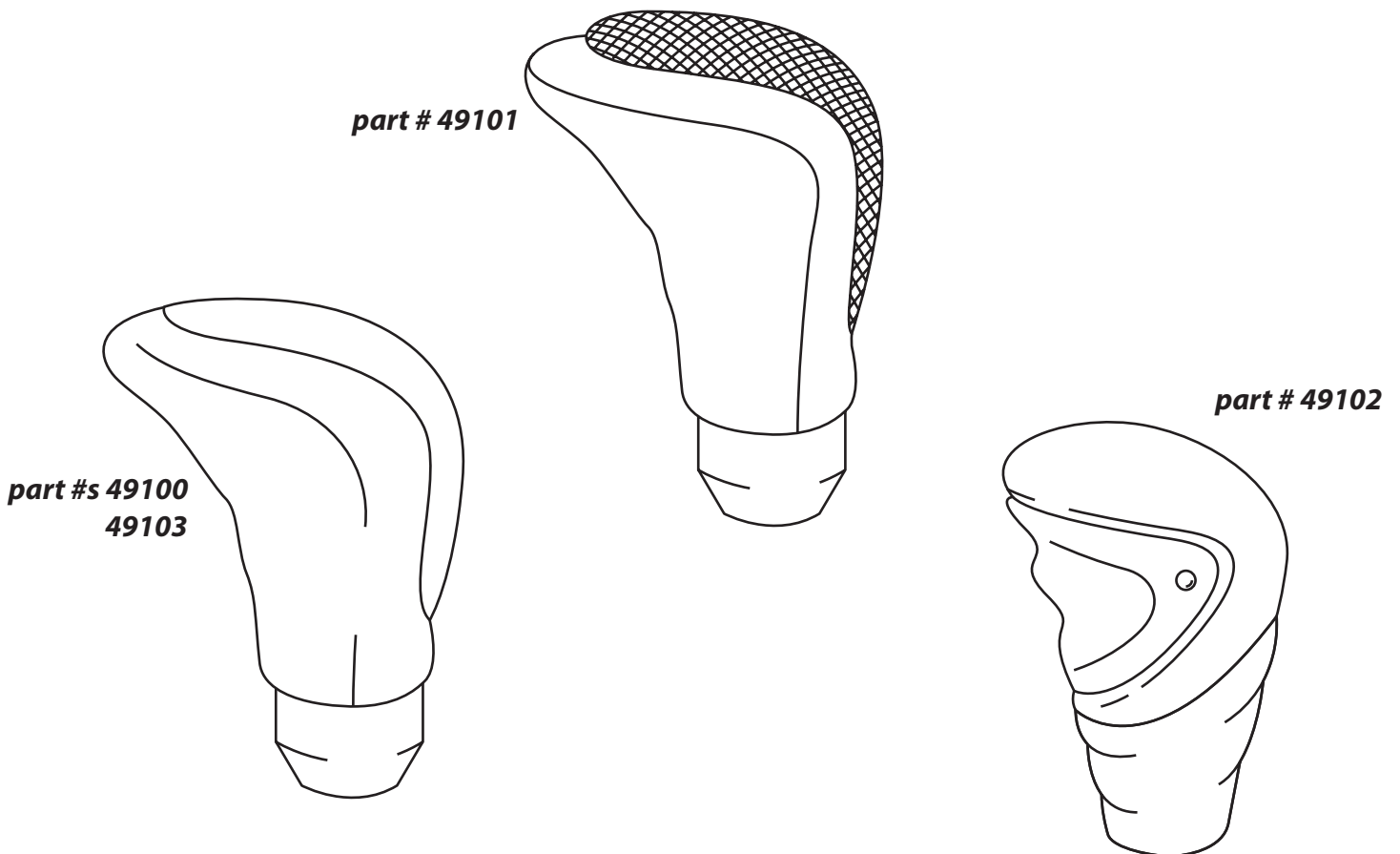




RHINO PROWLER RANGER

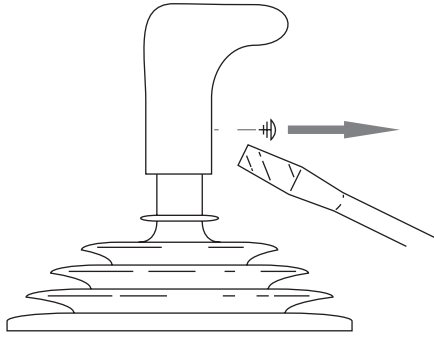
Shifter Knobs Installation



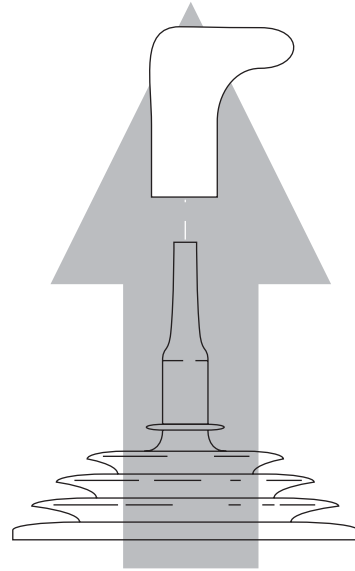
1. Remove rubber pin from stock shifter with flathead screwdriver.
2. Remove stock shifter.
3. **a.** Take Speed Ind. Shifter and unscrew beveled cap and put the cap then shifter on the shifting column. Then tighten three allen screws securely (**A**) and screw beveled cap back on.
3. **b.** Take Speed Ind. Shifter and pop off chrome cover with flathead screwdriver. Then place Speed Ind. Shifter on shifting column, tighten single allen screw (**B**) to make shifter secure, and place chrome cover back on shifter.

Shifter Knob Installation

1.

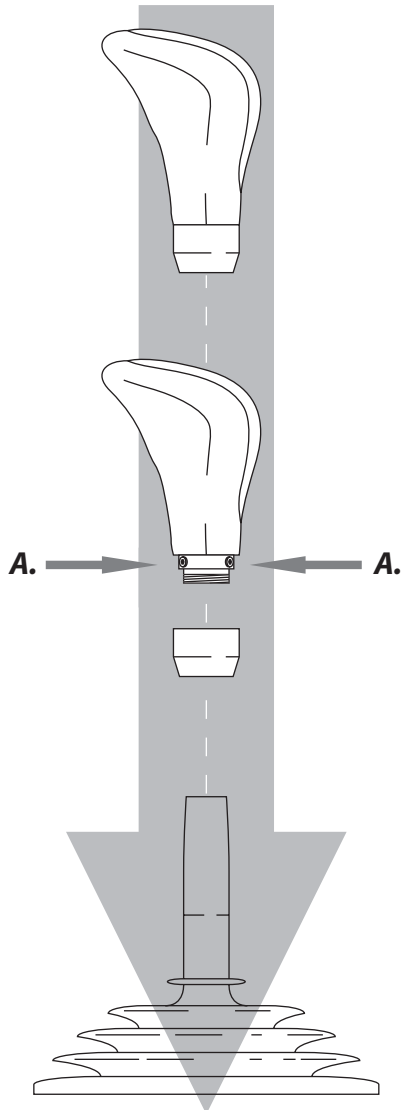


2.



part # 49100, 49103 & 49101

3.a.



part # 49102

3.b.

