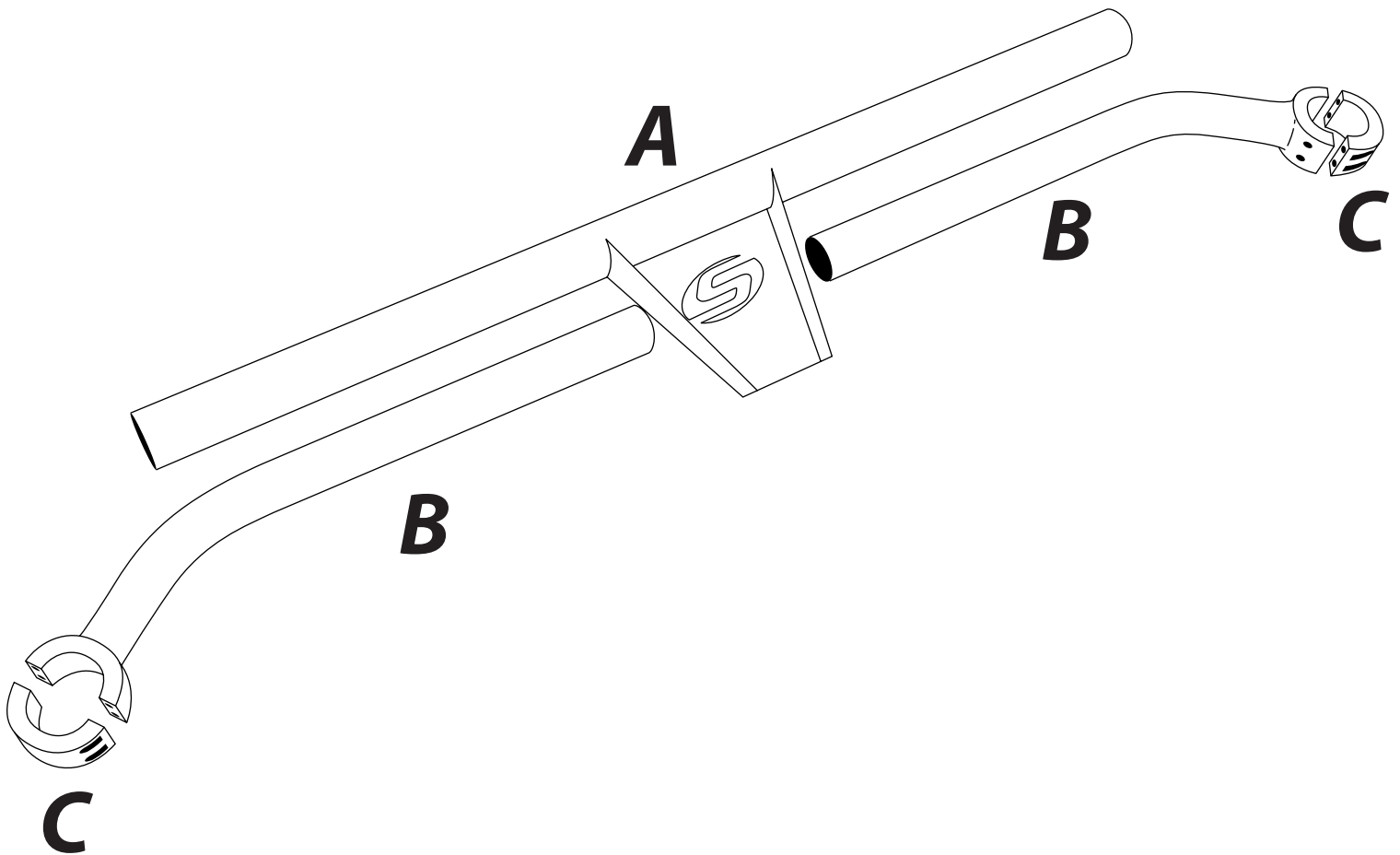




# Yamaha RHINO

## Shoulder Harness Bar

Part # 45550



### Hardware Included

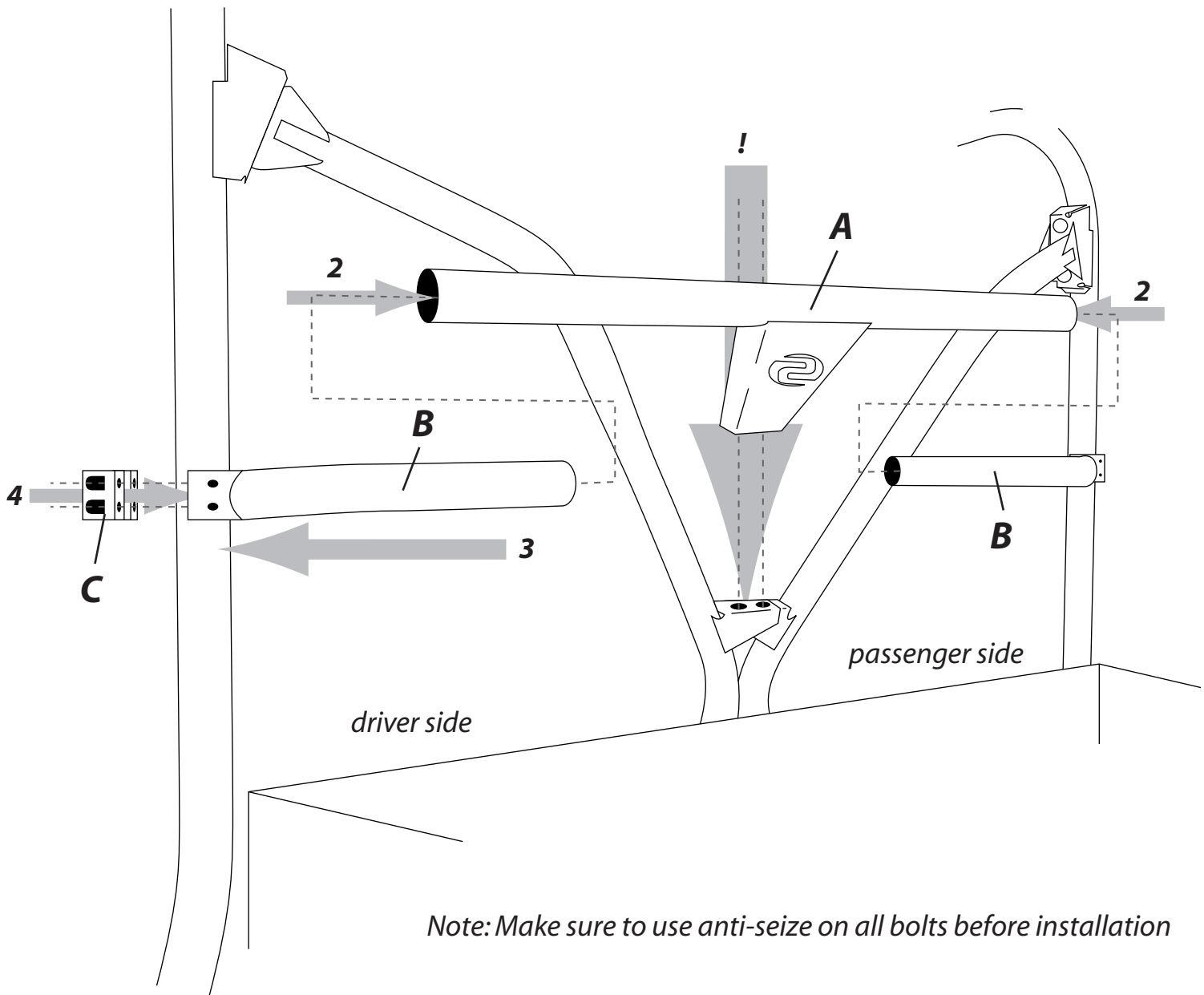
• 8 - 1/4" 20 x 1 allen screws

### Tools Required

- 1/4" allen wrench
- 14mm socket wrench

# Rhino Shoulder Harness Bar Installation

**Diagram A.**



1. Remove center bolts and install Center Support (A). Then snug center bolts, but do not tighten till shoulder harness bar is assembled completely.
2. Slide Arms (B) into Center Support (A).
3. Slide Arms (B) out till the connected "C" joint meets with the side roll bars. Make sure Arms (B) are parallel to rhino bed.
4. Secure Arms (B), by connecting Outer "C" Joints (C) to the Arms (B) by using provided joint hardware. **Then tighten all bolts.**