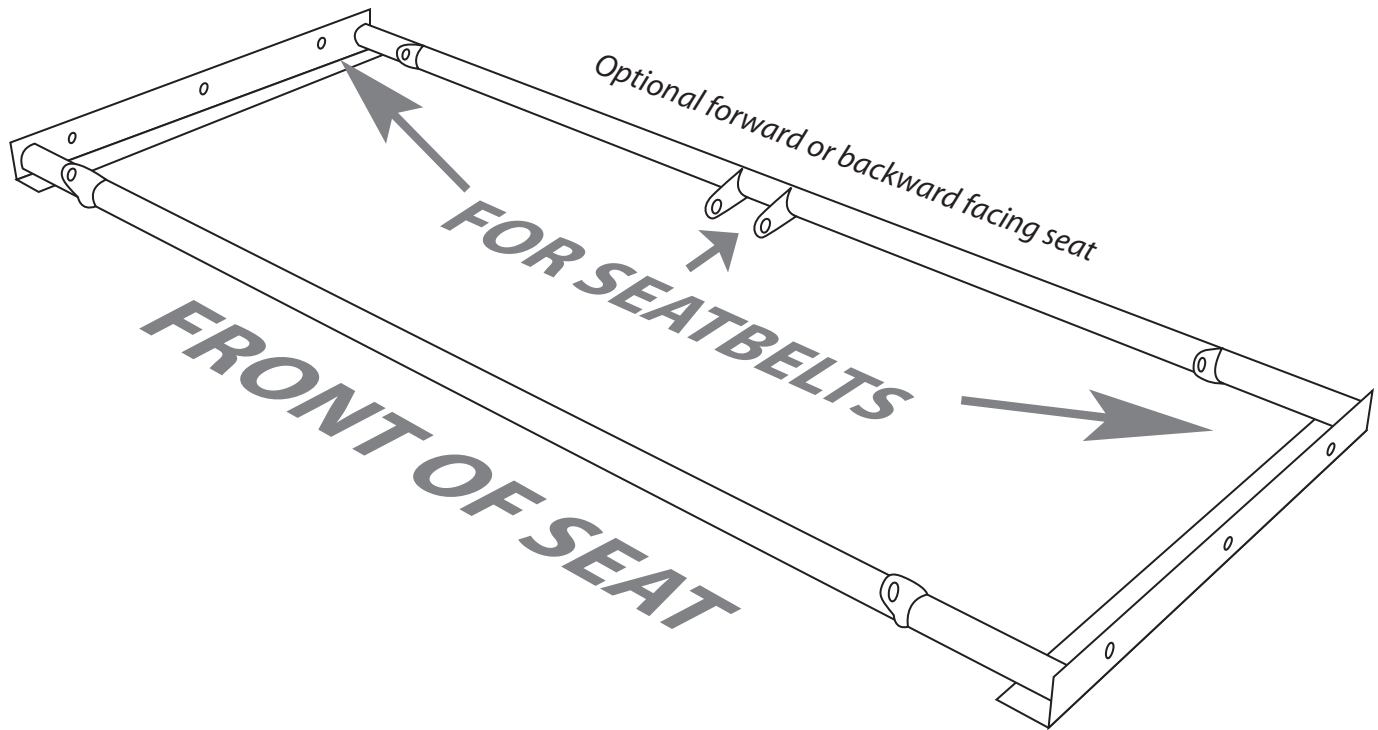




# Yamaha RHINO

## Bench Seat Installation

Part # 59999



### Hardware Included

#### Bracket Hardware

- 6 - 1" x 5/16" bolts
- 12 - 5/16" flatwashers
- 6 - 5/16" nylock nuts

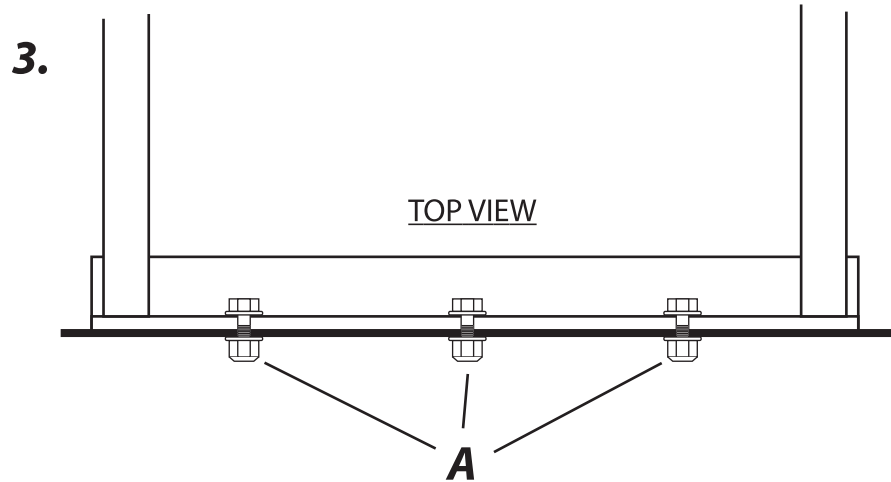
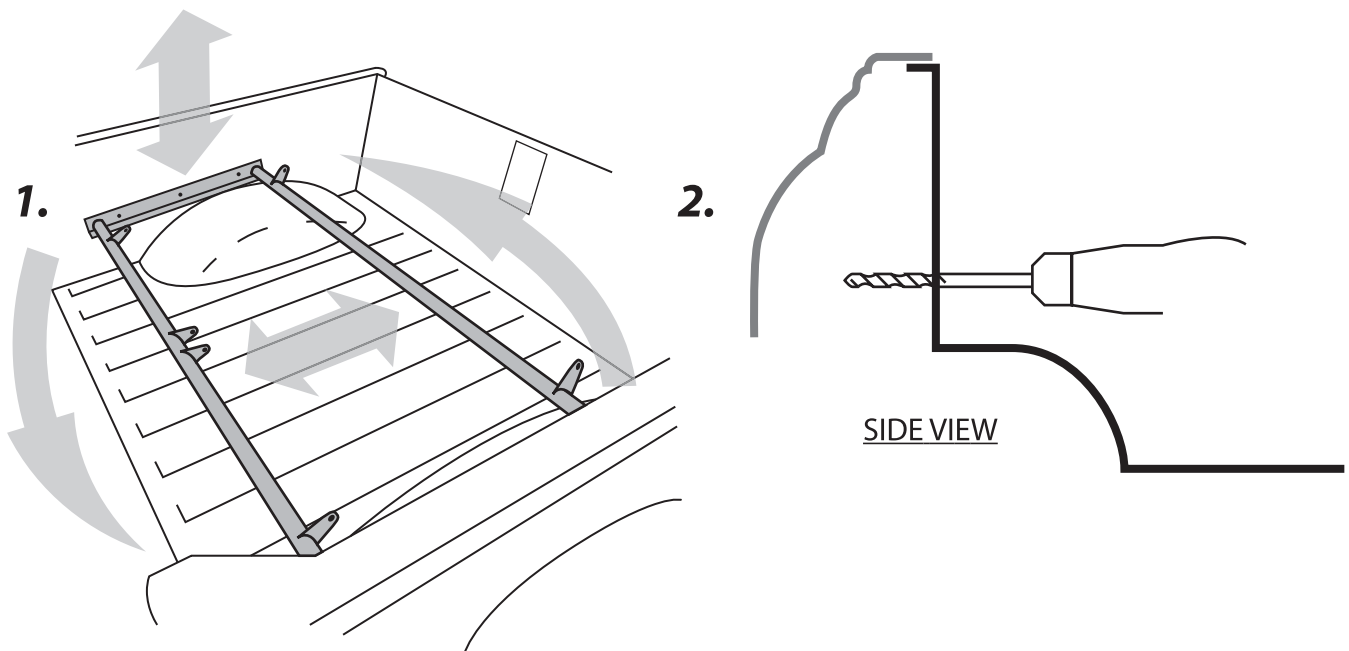
#### Bench Seat Hardware

- 4 - 1 1/4" x 3/8" bolts
- 4 - 3/8" flatwashers
- 4 - 3/8" nylock nuts

### Tools Required

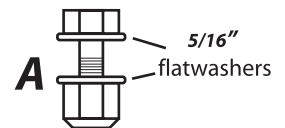
- 1/2" deepwell socket, 3/8" drive
- 9/16" deepwell socket, 3/8" drive
- 1/2" end wrench
- 9/16" end wrench
- 3/8" drill bit (min. 3" long)
- drill motor
- ratchet, 3/8" drive

# Rhino Rear OEM Seat Mount Installation



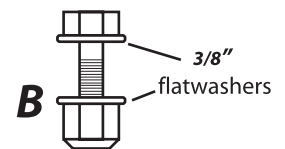
## Diagrams

1" x 5/16" bolt



5/16" nylock nut

1 1/4" x 3/8" bolt



3/8" nylock nut

1. Mount bench seat to bracket (using bench seat hardware) and place it inside of bed. Put the seat in the position that you want, facing forward or backward, then mark (side mounting holes) on inside steel bed liner where you want seat placed. Then remove bench seat and remove the bracket from the seat.
2. Drill, using  $5/16''$  drill bit, through inside steel bed liner, *being careful not to drill through the plastic bedside*.
3. Install bracket (without seat attached) using six  $1'' \times 5/16''$  bolts (three on each side) provided with bracket. Make sure that you include a  $5/16''$  flatwasher under bolt head and under nut to frame, then tighten with  $5/16''$  nylock nut on bottom of bolt. (Diagram A)
4. Install bench seat to bracket with provided four  $1 \frac{1}{4}'' \times 3/8''$  bolts,  $3/8''$  flatwashers, and  $3/8''$  nylock nuts. (Diagram B)



**MUST BE USED IN CONJUNCTION WITH A REAR ROLL CAGE AND SAFETY HARNESS!**